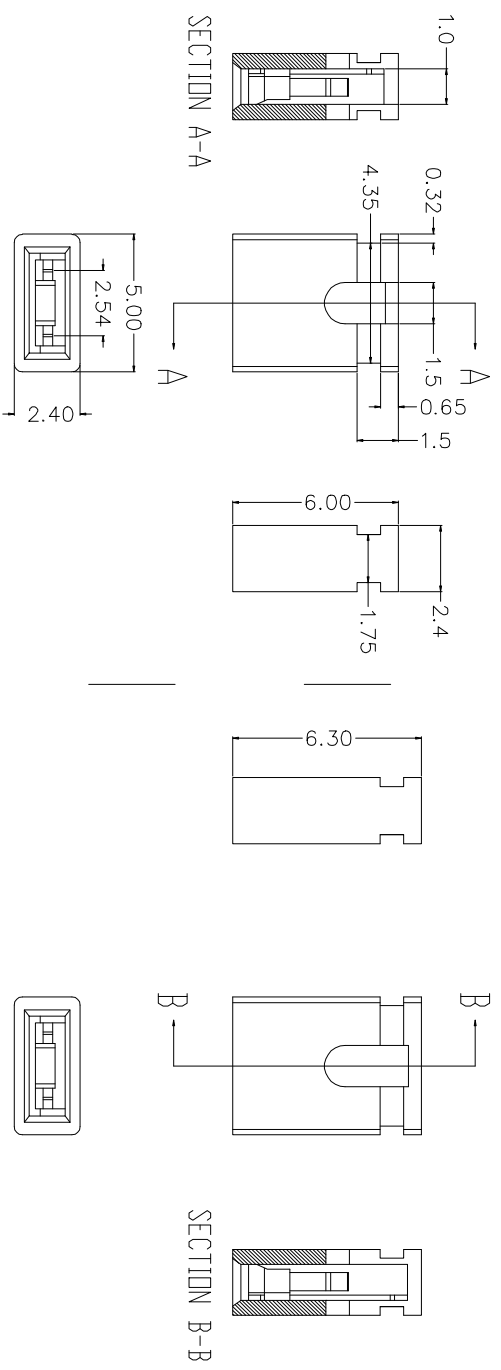


REV.	DESCRIPTION	DRAWN	CHECKED	APPROVED
A	NEW RELEASE	ZQJ 11/18/2015	~	ZQJ 11/18/2015
B	ADD P/N CODE	CJJ 11/18/2015	~	CJJ 11/18/2015

形式一 短路块 形式二



Specification

1. Insulator Material: PBT+GF (UL94-0), Black
2. Contact Material: Phosphor bronze or brass, T=0.2±0.02mm
3. Contact Area Plated: Gold over Nickel or Tin

GENERAL TOLERANCE		ANGLE TOLERANCE		PROJECTION UNITS	TITLE
X, ±0.60	±5°	mm	2.54mm Mini Jumper		
.X, ±0.38	.X, ±3°	A4	LL104-1A		
.XX, ±0.25	.XX, ±2°				
DRAWING TYPE CUSTOMER					
SCALE	1:1	SHEET	1 OF 1		
DRAWING NO.					

慈溪蓝翎电子有限公司
CIXI LANLING ELECTRONICS CO., LTD.

2	CONTACT	
1	HOUSING	
ITEM	PART NAME	