

REV	DESCRIPTION	DRAWN	CHECKED	APPROVED
A	NEW RELEASE	CJJ	11/18/2014	

NOTES:

1. SPECIFICATIONS
- switch function: Single pole Single throw
  - contact rating: 50mA at 12Vdc
  - insulation resistance:100MΩ min at 500Vdc
  - contact resistance:100mΩ max
  - operating life:100,000 cycles
  - operating force: see below

- stop strength: place the switch such that vertical, a static load of 3kgf shall be applied in the direction of stem operation for a period of 15 secs.
- stroke: (6x)0.25<sup>+0.2mm/-0.1mm</sup>(12x12)0.35±0.1mm
- operation temperature range: -20°C to 70°C
- storage temperature range: -20°C to +70°C
- wave soldering: recommended solder temperature at 500°F(260°C)max: 5 seconds,subject to pcb 1.6mm thickness.
- hand soldering: usea soldering iron of 30 watts,controlled at 608°F(320°C)approximately 2 seconds while applying solder.

3. PRODUCT NUMBER CODE:

LL1053

- Operating Life
- 5: 50000 cycles
- 10: 100000 cycles

- Operating force
- 130: 130gf 150: 160gf
- 170: 170gf 250: 250gf

- Cover type
- X: W/D cover
- S: W/ cover

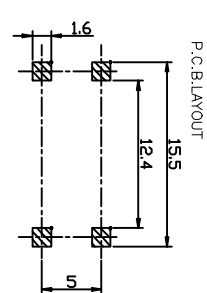
- Packing type
- A: polybag
- B: tube
- R: tape on reel

- Actuator color
- U: Blue K: black N: brown R: red
- T: yellow S: Salmon

- Housing color
- U: blue K: black N: brown R: red
- Y: yellow S: Salmon

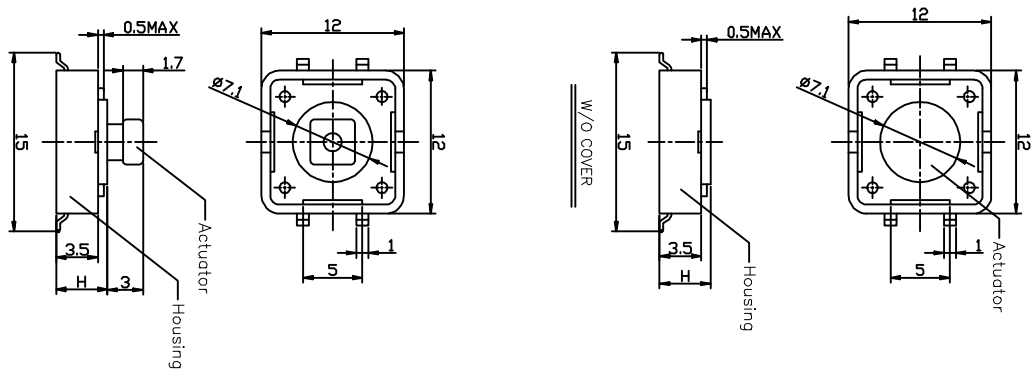
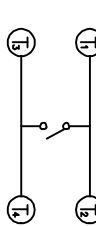
- Profile Height(DIM. H)
- 1:4.3mm 2:5.0mm 3:7.0mm 4:7.3mm
- 5:9.5mm 6:13.0mm 7:7.5mm 8:8.0mm
- 9:8.5mm 10:12.0mm 11:12.5mm 12:17.0mm
- 13:7.8mm 14:9.0mm 15:10.0mm 16:11.0mm

- Size
- 2:12mmX12mm



RECOMMEND P.C.B.LAYOUT(Tolerance=±0.05)

SCHEMATIC



GENERAL TOLERANCE	ANGLE TOLERANCE
X. ±0.60	X. ±5°
X. ±0.38	.X ±3°
.XX ±0.25	.XX ±2°

DRAWING TYPE	CUSTOMER
SCALE	SHEET 1 OF 1
DRAWING NO.	

PROJECTION	TITLE
UNITS	TACT SWITCH SMT TYPE
SHEET SIZE	mm
A4	SERIES
LL1053	

慈溪蓝翎电子有限公司  
 CIXI LANLING ELECTRONICS CO., LTD.  
 Tel: 86-574-63619086 Fax: 86-574-63617070